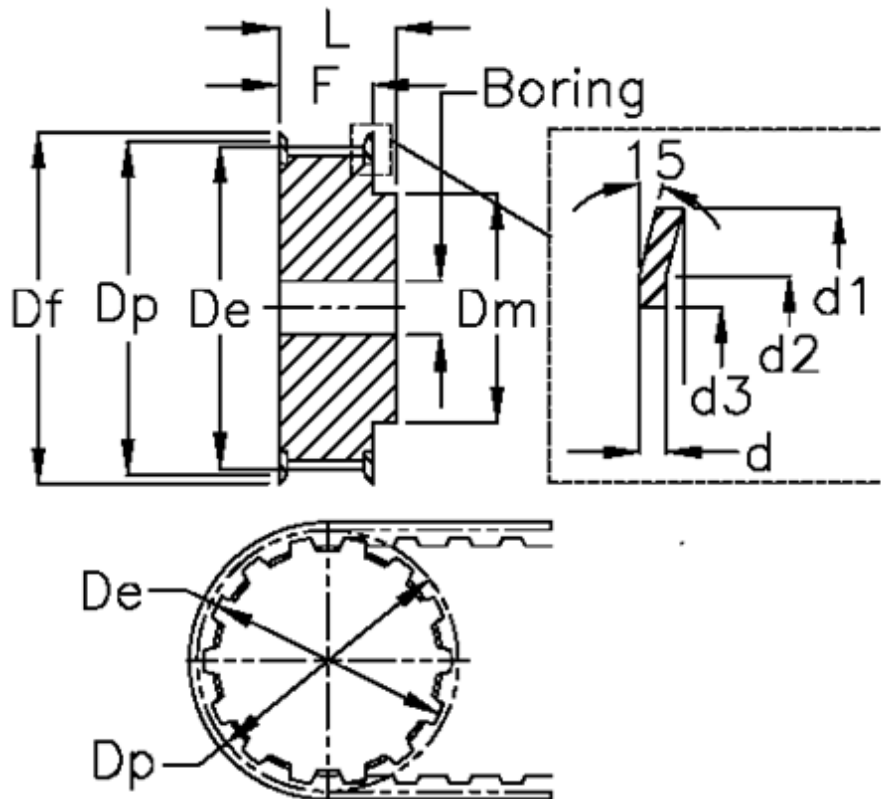


Article number: 60415221032

Description: Timing Belt Pulley 21 AT5 32/2

## Measures



Belt width = - 10 mm	$D_p$	= 51
$d$	$F$	= 15
$d_1$	Flange type	= F20
$d_2$	$L$	= 21
$d_3$	Pre-drilled	= 8
$D_e$	Tooth number	= 32
$D_f$	Type	= AT5
$D_m$	Weight	= 0.088